

Serie | 8, Built-in oven, Black HBG6753B1A



Included accessories

1 x grill tray
suit. pyrol. clean.
2 x combination grid
1 x universal pan

Optional accessories

HEZ327000 Pizza stone, HEZ530000 Half tray, HEZ531010 Baking tray, non-stick ceramic coated, HEZ532010 Universal pan, non-stick ceramic coated, HEZ617000 Pizza pan, anthracite enamelled, HEZ625071 Grill tray, anthracite enamelled, HEZ631070 Baking tray, anthracite enamelled, HEZ632070 Multipurpose pan, anthracite enamelled, HEZ633001 Lid for professional pan, enamelled anth, HEZ634000 Baking and roasting grid (standard), HEZ636000 Glass pan, HEZ638370 3 level telescopic rails, full ext,pyro

The Series 8 built-in oven: impressive design and results for any kitchen.

- **4D HotAir:** even heat distribution for perfect results – on any level.
- **AutoPilot 10:** every dish is a perfect success thanks to 10 pre-set automatic programmes.
- **TFT display control:** easy-to-use thanks to the control ring with clear text and touch symbols.
- **Pyrolytic self-cleaning:** no cleaning effort thanks to automatic self-cleaning.
- **SoftMove door with SoftOpen and SoftClose:** the oven door opens and closes especially gently and quietly.

Technical Data

Color / Material Front :	Black
Built-in / Free-standing :	Built-in
Integrated Cleaning system :	Pyrolytic
Required niche size for installation (HxWxD) :	585-595 x 560-568 x 550
Dimensions of the product (mm) :	595 x 594 x 548
Dimensions of the packed product (HxWxD) (mm) :	670 x 680 x 670
Control Panel Material :	Glass
Door Material :	Glass
Net weight (kg) :	40.466
Usable volume of cavity (l) :	71
Cooking method :	Bottom heat, Conventional heat, Defrost, Full width grill, Half width grill, Hot Air-Eco, Hot air grilling, low temperature cooking, Pizza setting, pre-heating, warming
Oven control :	electronic
Number of interior lights :	1
Approval certificates :	CE, VDE
Length electrical supply cord (cm) :	120
EAN code :	4242005131433
Number of cavities (2010/30/EC) :	1
Energy efficiency class (2010/30/EC) :	A
Energy consumption per cycle conventional (2010/30/EC) :	0.90
Energy consumption per cycle forced air convection (2010/30/EC) :	0.74
Energy efficiency index (2010/30/EC) :	87.1
Connection Rating (W) :	3600
Current (A) :	16
Voltage (V) :	220-240
Frequency (Hz) :	50; 60
Plug type :	no plug



Serie | 8, Built-in oven, Black HBG6753B1A

The Series 8 built-in oven: impressive design and results for any kitchen.

Technical Info

- Appliance dimensions (HxWxD): 595 mm x 594 mm x 548 mm
- Installation dimensions (HxWxD): 585 mm - 595 mm x 560 mm - 568 mm x 550 mm
- Length of mains cable: 120 cm
- Nominal voltage: 220 - 240 V
- Total connected load electric: 3.6 KW

Heating Functions

- Oven (black) with 13 heating methods: 4D HotAir 4D HotAir Eco Top/bottom heating Top/bottom heating Eco Hot air grilling Full width grill Half width grill Pizza setting Bottom heating Slow cooking Defrost Preheat ovenware Keep warm
- Temperature range 30 °C - 300 °C
- Rapid heating-up: automatic

Sensor Technology & Automatic Programs

- Number of automatic programmes: 10 PC

Design

- TFT Touch Symbol Display
- Bosch Control Ring
- Drop down door, Oven door with SoftClose, SoftOpen
- Anthracite enamel cavity with 5 shelf positions
- Cavity volume: 71 net usable litres

Cleaning

- 3 Stage pyrolytic cleaning
- Pyrolytic proof trayholder and baking tray
- Full glass inner door

Convenience

- Automatic temperature proposal Residual heat indicator Actual temperature display Sabbath mode
- 2 level telescopic shelf rails, fully extendable, safety stop function, pyrolytic proof
- Electronic clock/timer with end time programming
- Halogen lighting
- Info button
- Bar handle

Safety and Environment

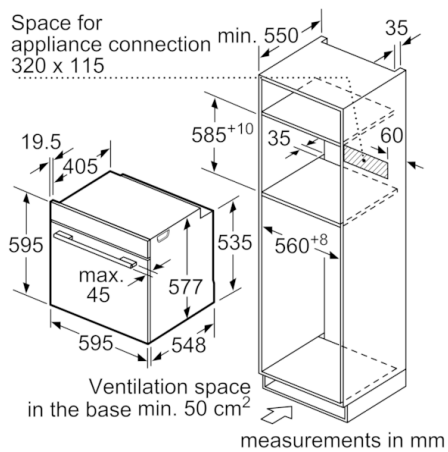
- Quadruple glazed CoolTouch door
- Maximum door temperature 30° C
- Cooling fan
- Electronic door lock Child lock function Automatic safety switch off function Residual heat indicator Start button Door contact switch

2 year warranty

Accessories

- 1 x grill tray, suit. pyrol. clean., 2 x combination grid, 1 x universal pan

Serie | 8, Built-in oven, Black HBG6753B1A



If the appliance will be installed underneath a hob, the following worktop thicknesses (including substructure if necessary) must be taken into account.

Hob type	min. worktop thickness	
	fitted	flush
Induction hob	37 mm	38 mm
Full surface Induction hob	47 mm	48 mm
Gas hob	30 mm	38 mm
Electric hob	27 mm	30 mm

